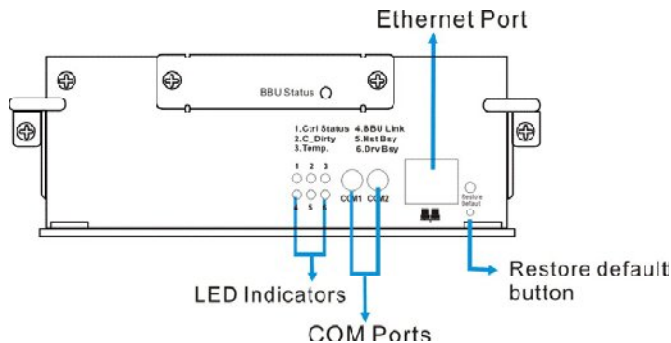


Procedure to Restore Factory Defaults

For all the new models, each controller has own "Restore default button" on the face plate.

Restore Default Button/LED: Pressing the "restore default button" while powering on the subsystem will restore firmware default settings.



After the subsystem is powered down, you can use a straighten paper-clip to press the button. Press and hold the button down, power on the subsystem, and wait for the associated LED and the subsystem Ready LED to light up. The "Restore Def." LED indicates successful restoration of firmware defaults.

By performing the Restore Factory Defaults procedure, any controller configuration settings made by the user will be changed back to their factory default values. This includes the IP address, Host Channel IDs, and any Host LUN mapping. This procedure will NOT perform any reads or writes to the hard drives.

Two of the functions available in the menus are Save NVRAM to Disk and Restore NVRAM from Disk. We will first save any user configuration settings that are in the NVRAM to the reserved space on the disks so that it may be retrieved after completing the Factory Defaults procedure.

From the Main Menu select:

system Functions -> Controller Maintenance -> Save nvram to disks

Once the NVRAM has been saved you can perform the Factory Default procedure:

1. Power off the unit.
2. Holding the ENT and ESC buttons on the front panel, apply power to the unit.
3. Release the buttons when the LCD displays "Maintenance Mode".
4. Press the ENT button, the LCD displays "Download FW".
5. Press the down-arrow button until the LCD displays "Restore Factory Defaults".
6. Press the ENT button until the LCD displays "Factory defaults restored".
7. Press the down-arrow button three times until the LCD displays "Reset controller".
8. Press the ENT button to reset the controller(s).

Now you can restore the original user configuration we saved earlier. From the Main Menu select:

system Functions -> Controller Maintenance -> Restore nvram from disks

Once the NVRAM has been restored, you must restart the controller(s) if there was an IP address set or any additional Host Channel IDs present:

system Functions -> Reset Controller